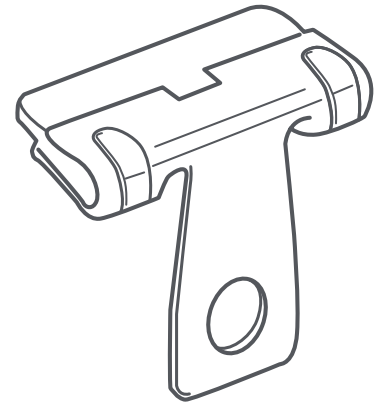
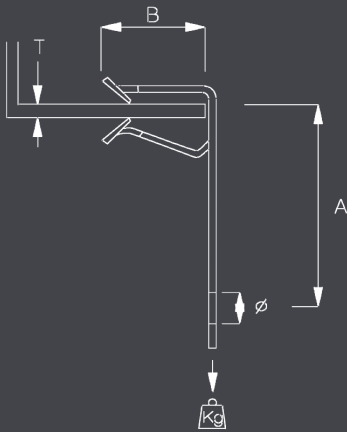


TECHNICAL
DRAWING
AH616–619



BEAM HANGERS

APPLICATION

Suspension from beam

TECHNICAL DETAILS

Material :	Cold Rolled Spring Steel to BS EN 10132–4:2000
Surface finish:	Black Phosphate to BS EN ISO 9717:2013
Salt spray:	24 hours to red corrosion
Safe static vertical work load:	80 kg

Health & safety

As with all metal products, there is a risk from sharp corners or edges. Appropriate PPE should be used. Repeated contact with metal coatings may cause skin irritation.

AH Part	T (mm)	Ø(mm)	A (mm)	B (mm)
AH616	1.5-4	6.5	16	12.5
AH617	4-10	6.5	18	23
AH618	AH616	6.5	26	23
AH619	AH616	6.5	30	23