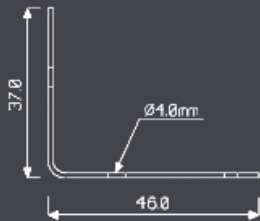
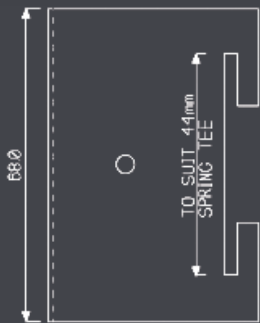
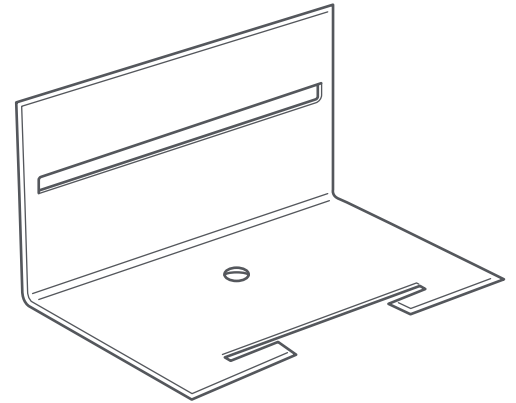


TECHNICAL DRAWING

AH207



DIMENSIONS IN MM



UNIVERSAL CHANNEL TO TEE BRACKET

APPLICATION

Connection of spring tee to channel

TECHNICAL DETAILS

Material : Galvanised mild steel to BS EN 10346:2015

Thickness: 1 mm

Surface finish: Galvanised

Health & safety

As with all metal products, there is a risk from sharp corners or edges. Appropriate PPE should be used. Repeated contact with metal coatings may cause skin irritation.