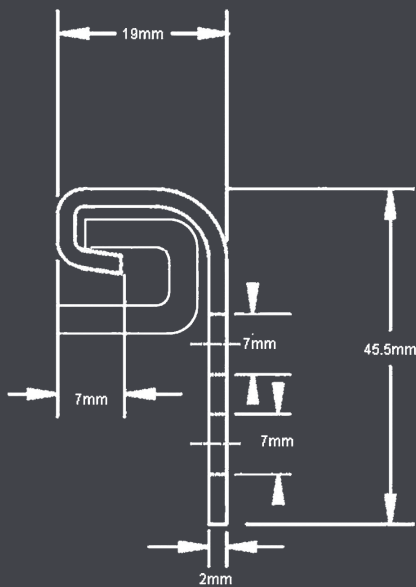
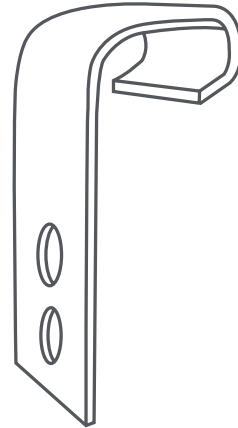


TECHNICAL  
DRAWING  
PURLIN HANGERS



DIMENSIONS IN MM

# PRODUCT DATA SHEET



## PURLIN HANGERS

### USAGE

**Suspension from a purlin**

### TECHNICAL DETAILS

**Material:**

Mild Steel to BS EN 10139

**Surface finish:**

Zinc Plated: BS EN ISO 2081:2008

**Ultimate static vertical load:**

70 kg

**Safe static vertical work load:**

20 kg

**Safety factor:**

3:1

**Load ratings:**

Ultimate static load is the failure load of the hanger in a vertical static position. Safe static vertical work load is the recommended maximum vertical static load for the clip.

**Health & safety:**

As with all metal products, there is a risk from sharp corners or edges. Appropriate PPE should be used. Repeated contact with metal coatings may cause skin irritation.